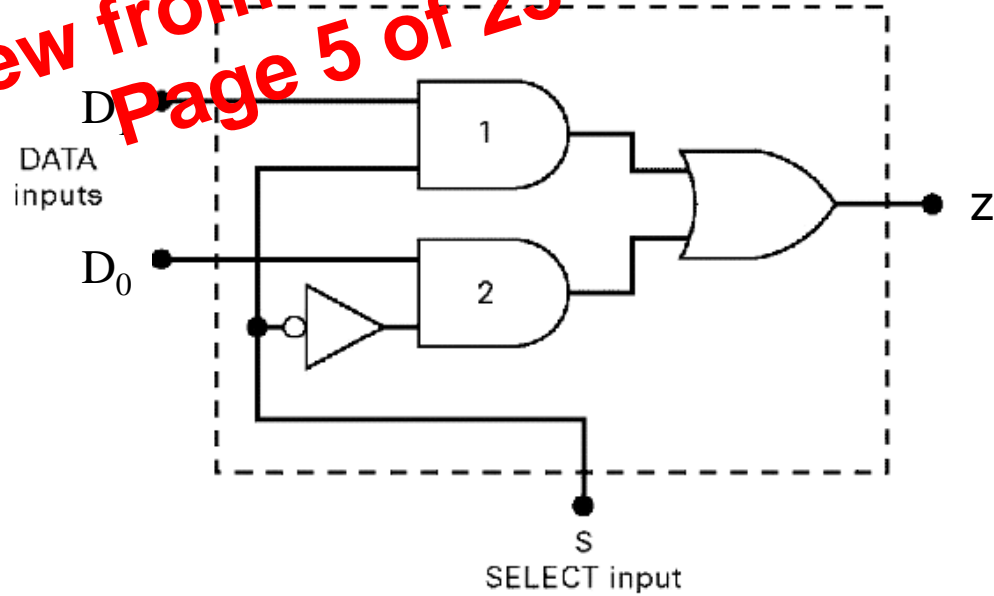
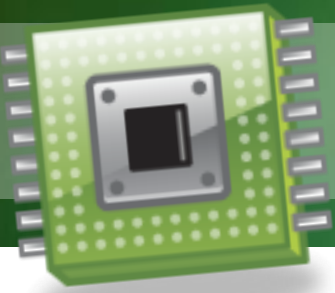


Multiplexers (MUX)

Preview from Notesale.co.uk
Page 5 of 23



Logic circuit

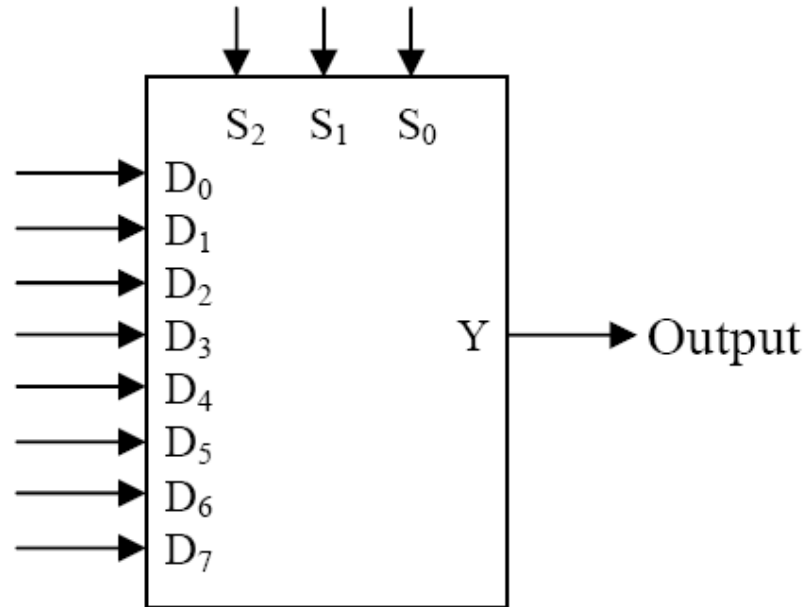


Multiplexers (MUX)

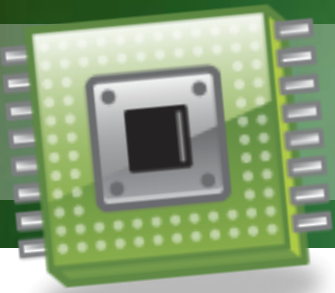
Question

Construct an 8:1 multiplexer using block diagram.

Preview from Notesale.co.uk
Page 8 of 23



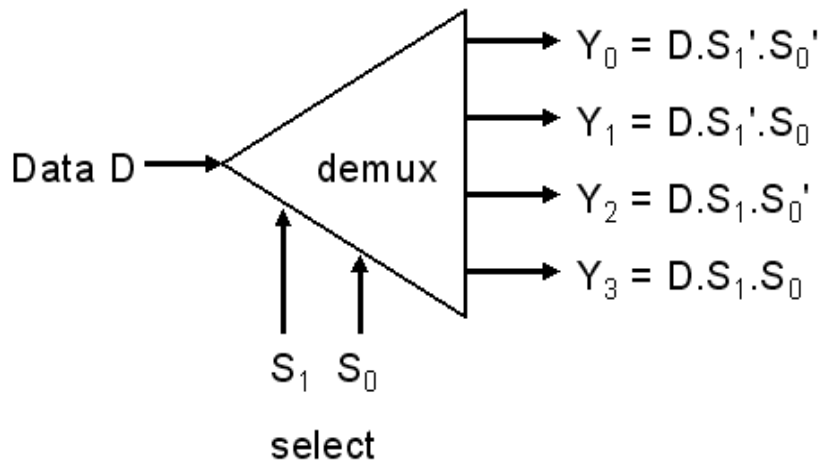
8 input lines means there must be 3 data select lines.



Demultiplexers (DEMUX)

1:4 DEMUX

Preview from Notesale.co.uk
Page 11 of 23



S_1	S_0	Y_0	Y_1	Y_2	Y_3
0	0	D	0	0	0
0	1	0	D	0	0
1	0	0	0	D	0
1	1	0	0	0	D