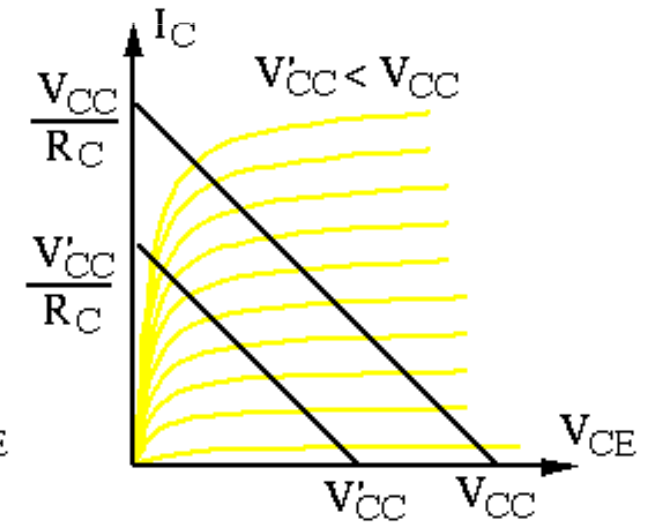
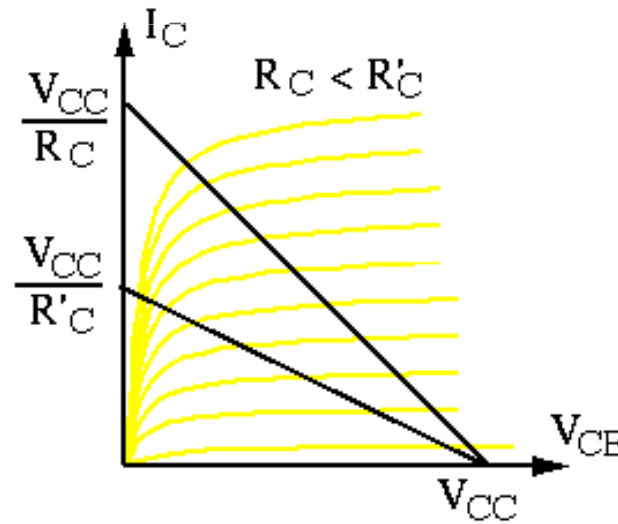
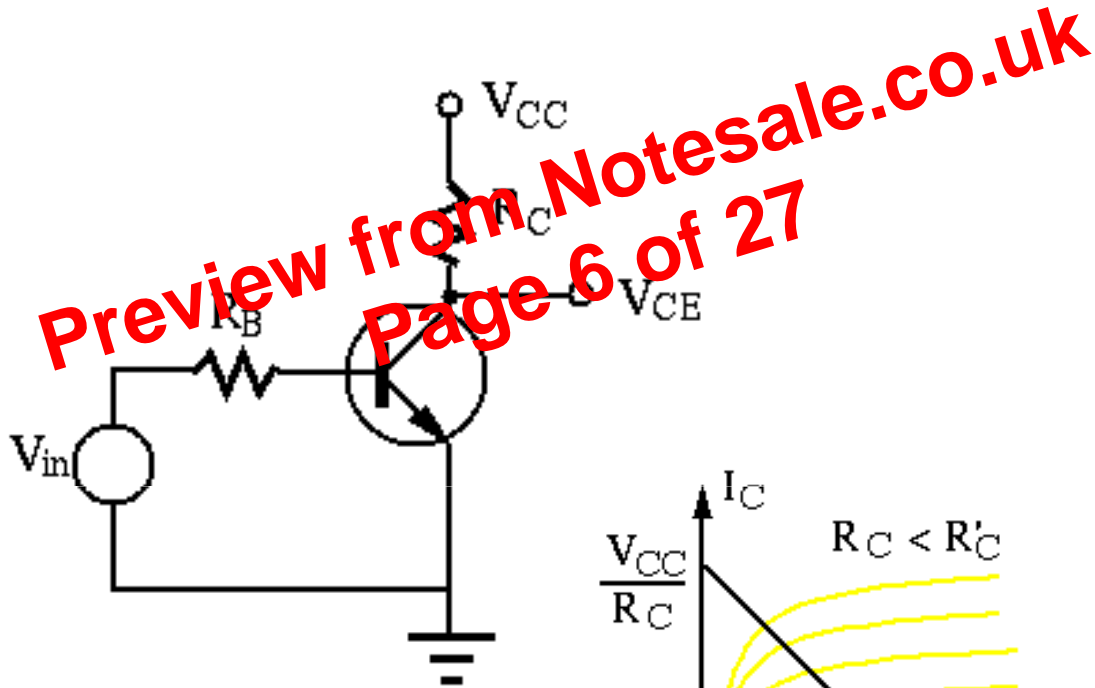
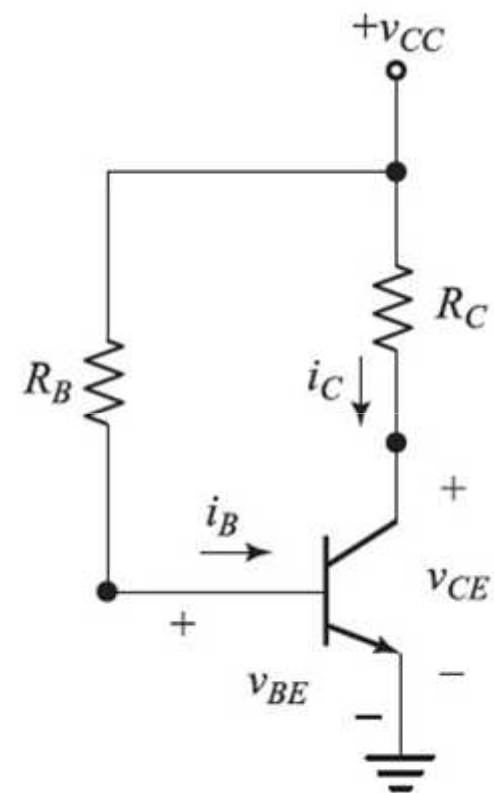


DC Load Line



Biassing the BJT

Preview from Notesale.co.uk
Page 8 of 27

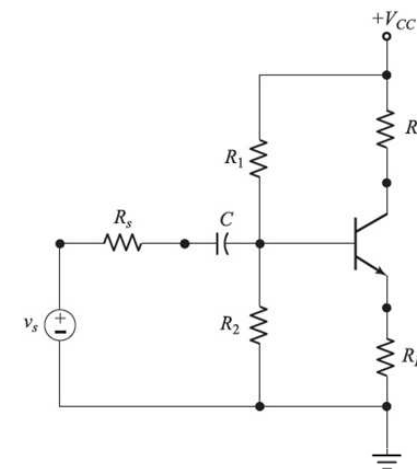


Fixed bias.

Practice Problem

For the self-biasing circuit shown in figure, $h_{EF}=h_{fe}=100$, $R_1=R_2=26k\Omega$, $R_C=980\ \Omega$, $R_E=2k\ \Omega$ and $V_{CC}=10\ \text{V}$. Find (a) g_m , (b) r_e , (c) R_{in} and (d) A_v .

Preview from Notesale.co.uk
Page 23 of 27



Small Signal Analysis

Analyse the amplifier

