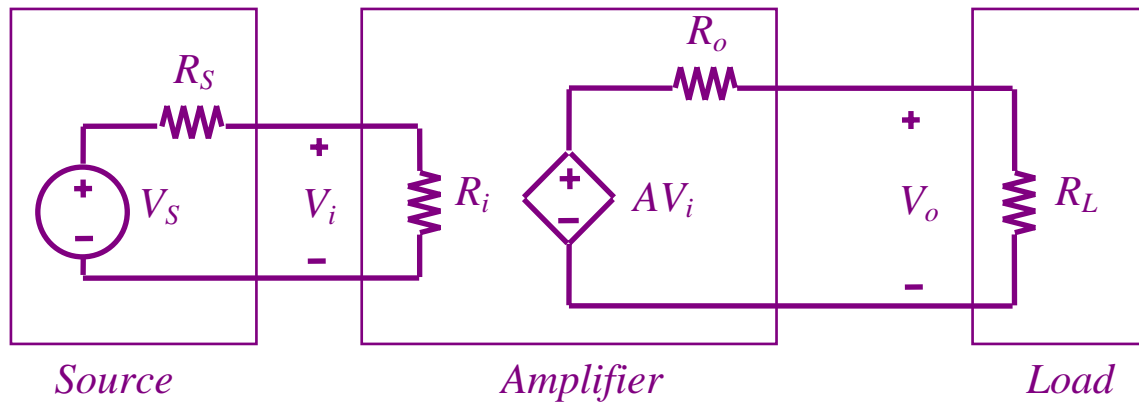


Subject to “loading” effects (loading is the attenuation in the voltage due to R_s and R_o)



Ideal to have:

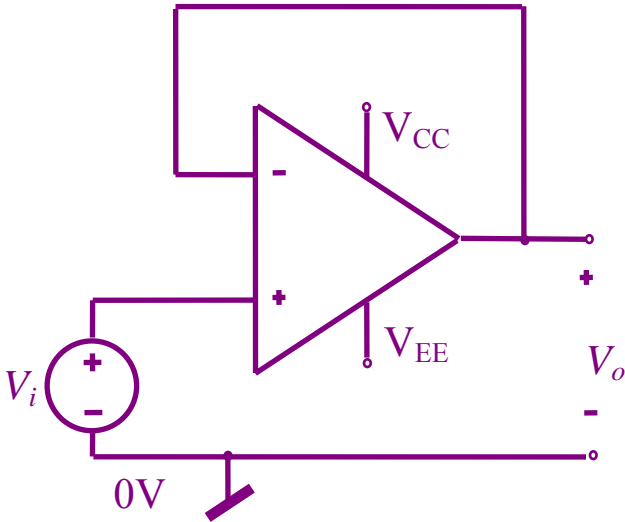
- $R_i \rightarrow \infty$
- $R_o \rightarrow 0$

Preview from Notesale.co.uk
Page 3 of 27

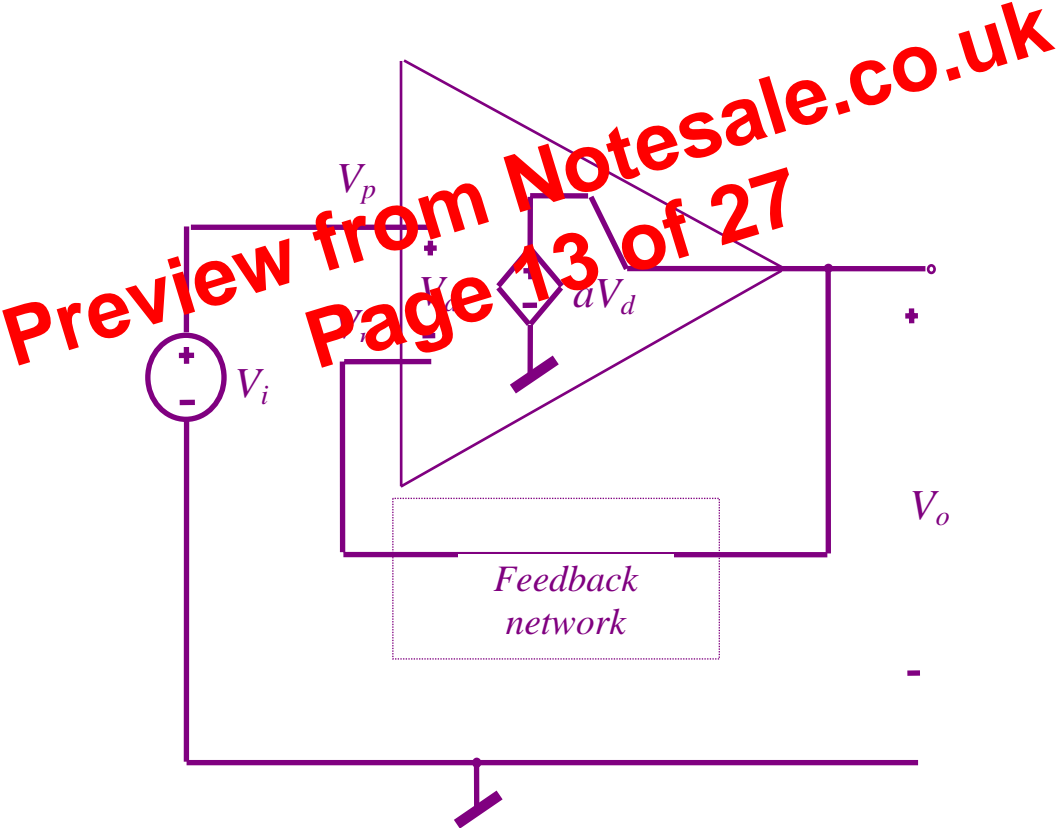
Also have:

- Current amp.
- Power amp.
- Transconductance amp.
- Transresistance amp.

Voltage Follower:

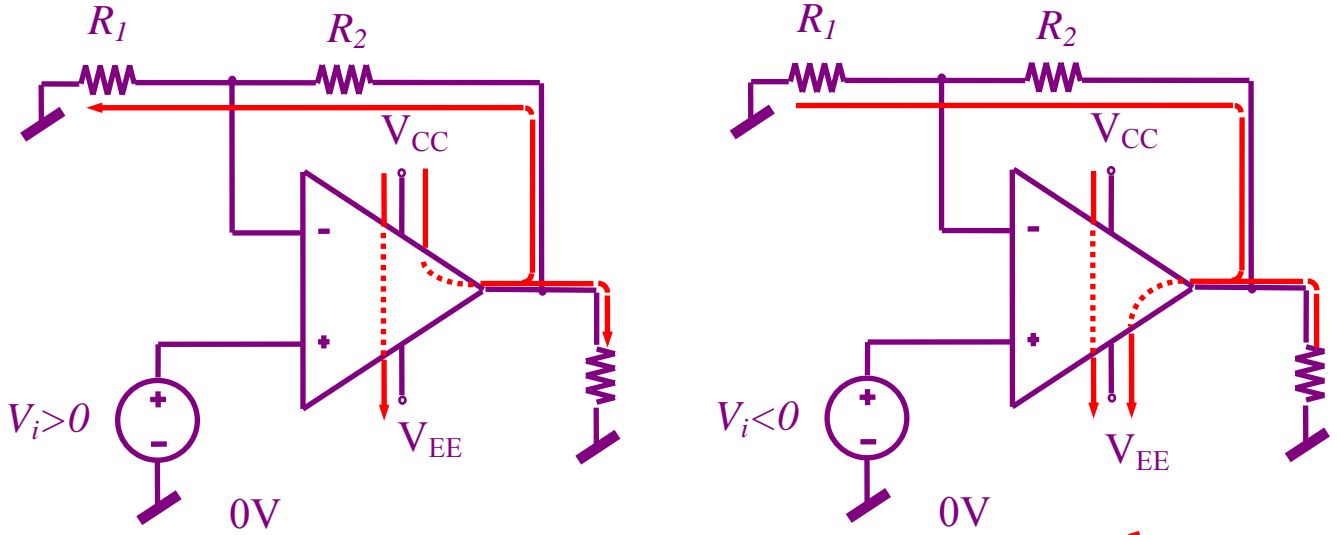


Model

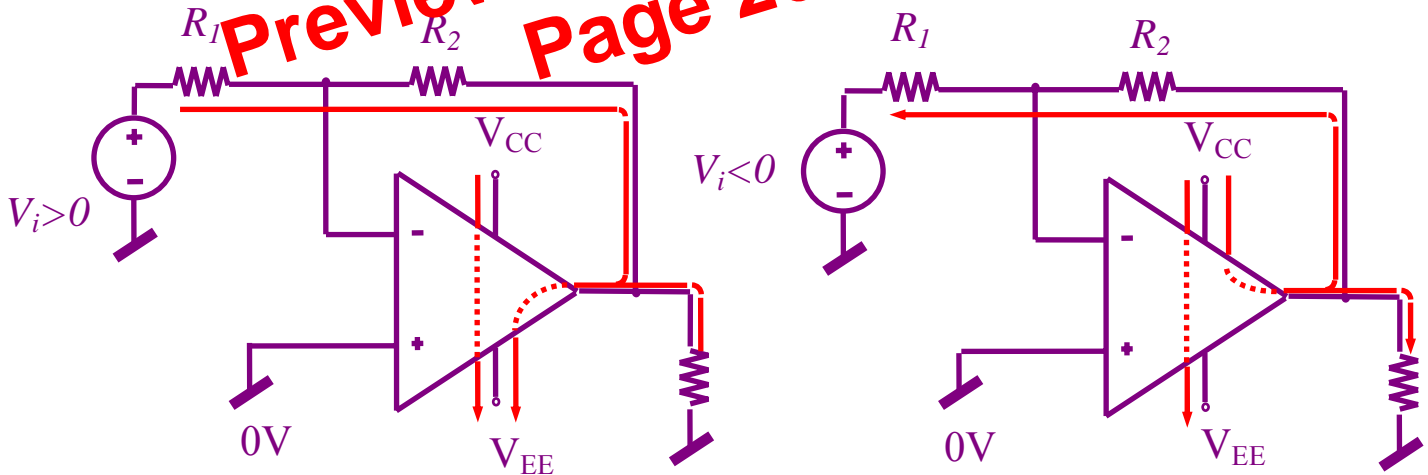


Flow of current

Non-inverting case



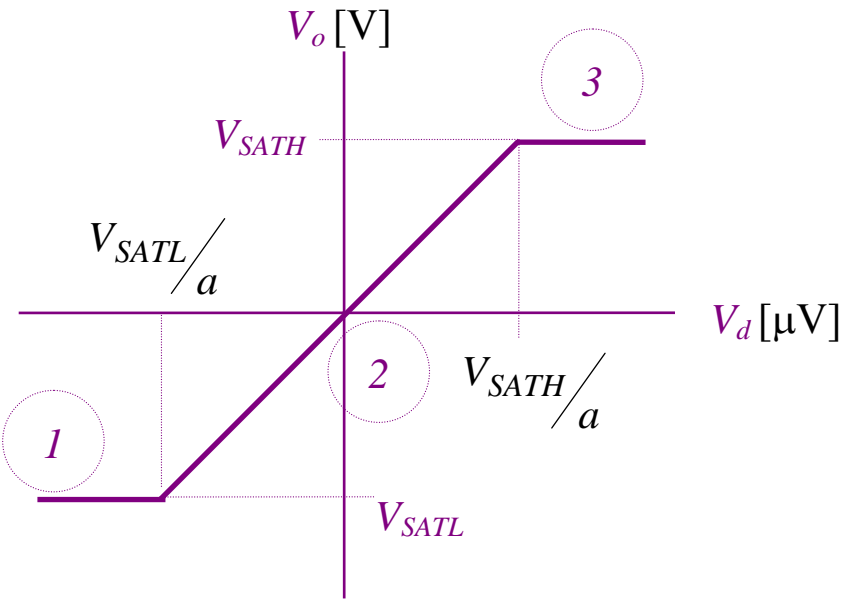
Inverting case



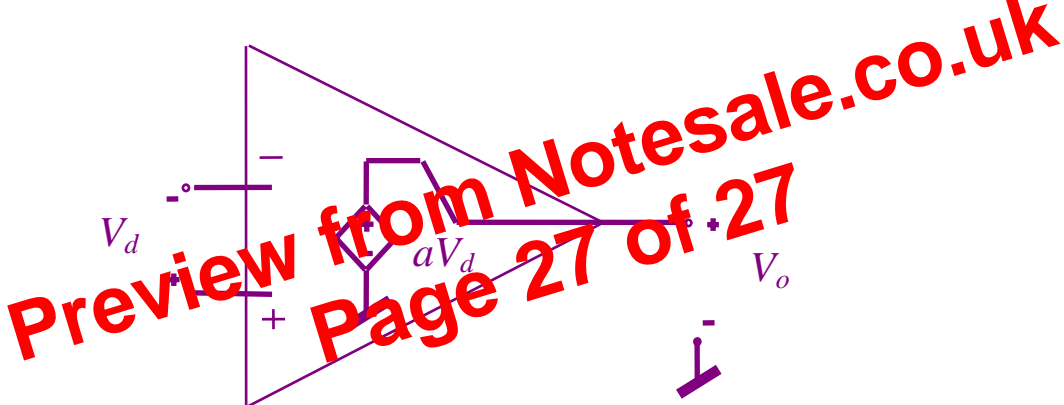
I_Q quiescent current

Preview from Notesale.co.uk
Page 26 of 27

Regions of operation and approx. models



Region 2 (linear region): Slope = a



Regions 1 & 3 (lower and upper saturation regions)

