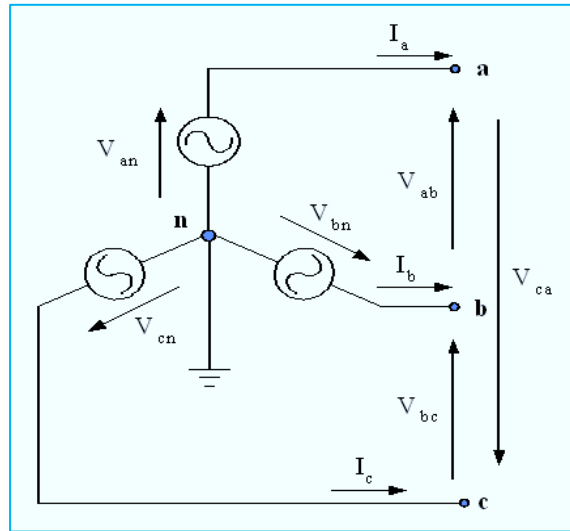


➤ Source



In wye system

$$I_L = I_\phi$$

I_L - Line current
 I_ϕ Phase current

Preview from Notesale.co.uk
 Page 3 of 5

1. Magnitude

$$|V_L| = \sqrt{3} |V_\phi|$$

V_L - Line voltage
 V_ϕ - Phase voltage

2. Phase

$$\angle V_L = \angle V_\phi + 30^\circ$$